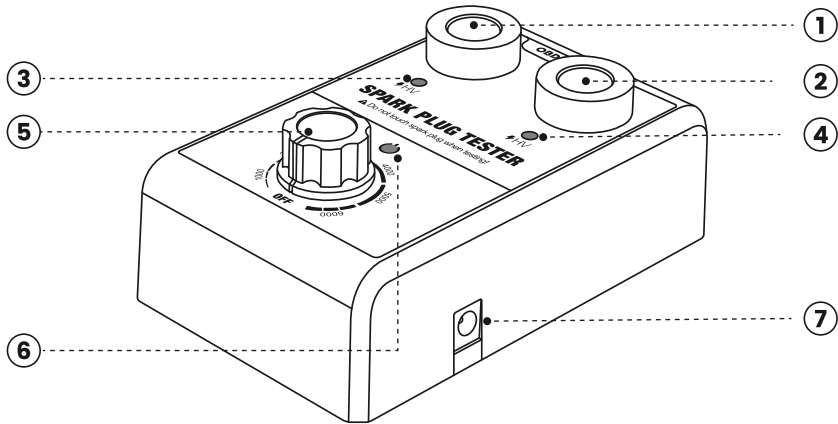


SAFETY WARNING

- Never pull out or insert the spark plug with the power supply connected. Prior to any manipulation, make sure to turn off the power.
- High voltage! Avoid touching the spark plug with bare hands to prevent injury.

PRODUCT DESCRIPTION

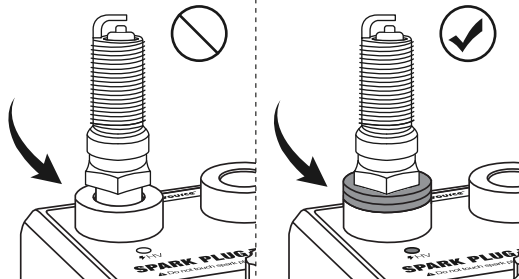
01



- 1 2** Spark Plug Socket
- 3 4** HV (High Voltage Indicator)
- 5** Switch
- 6** Power Indicator
- 7** Power Port

Note:

If the spark plug cannot reach the negative cylinder iron, use a shim for testing. It is only necessary to use it if the negative cylinder iron cannot be contacted, not for every test. [*spark plugs that do not require shims will cause normal spark plugs to not work if used.]

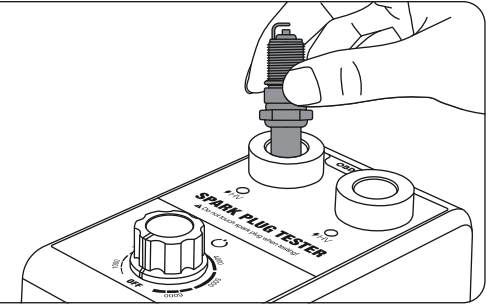


OPERATION GUIDE

02

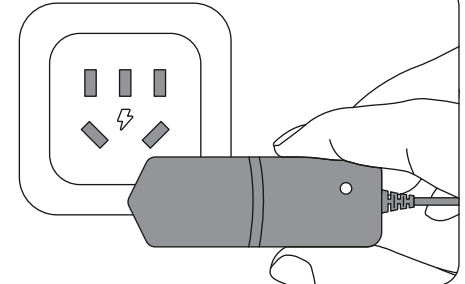
1

Insert the spark plug into either tester socket **1** or **2**.



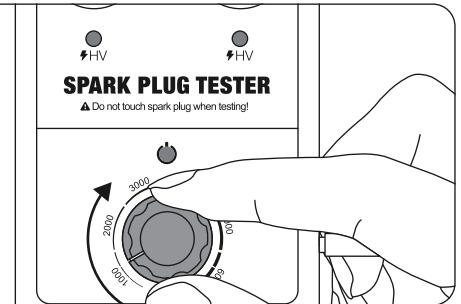
2

Insert the spark plug into the tester socket, then plug in the adaptor and connect the tester to the power supply.



3

Turn switch **5** clockwise to power on the tester. Indicator **6** will light up red.



4

Turn switch **5** clockwise to adjust the working frequency between 1000rpm to 6000rpm/ min for stronger spark strength.

